

U_FPGA
FPGA.SchDoc

U_FPGA_MISC
FPGA_MISC.SchDoc

U_Flash_RAM
Flash_RAM.SchDoc

U_PowerSupply
PowerSupply.SchDoc

U_FTDI
FTDI.SchDoc

U_Connectors
Connectors.SchDoc

Serial
Serialnumber 6,3 x 6.3mm

PM1
FIDU-DOT - mini

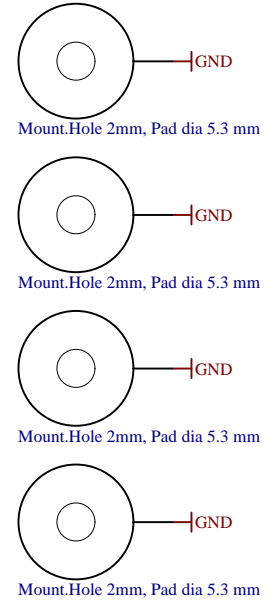
PM2
FIDU-DOT - mini

PM3
FIDU-DOT - mini

PM4
FIDU-DOT - mini

PM5
FIDU-DOT - mini

PM6
FIDU-DOT - mini

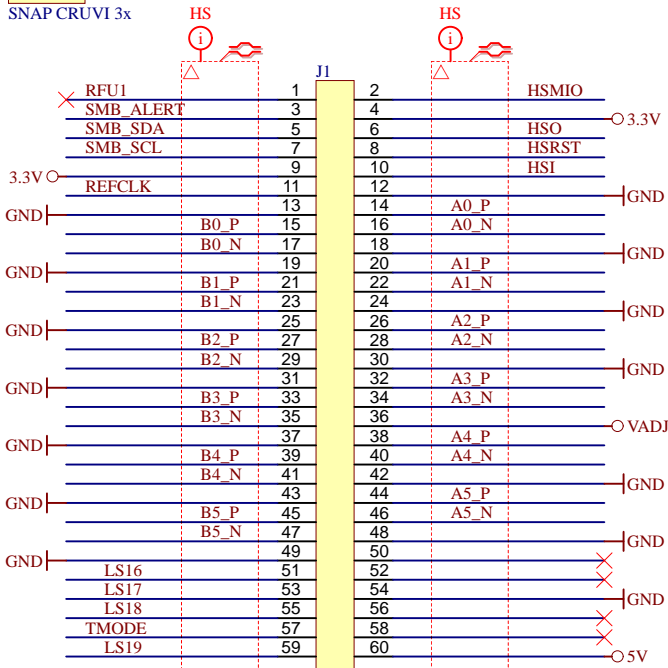


Assembly variant	default
Created by	VT
Modified by	VT
Modified at	2020-05-11
SVN Revision	756 [Locally Modified]

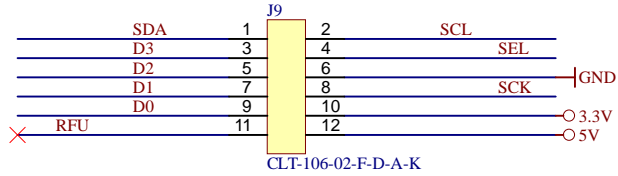
Title: CRUVI - Connectors		
A4	Number: CR00010 default	Rev. 02
Date: 11.05.2020	Copyright: MicroFPGA UG	Page 1 of 7
Drawn by: AL/VT	Filename: CR00010.SchDoc	

SNAP3

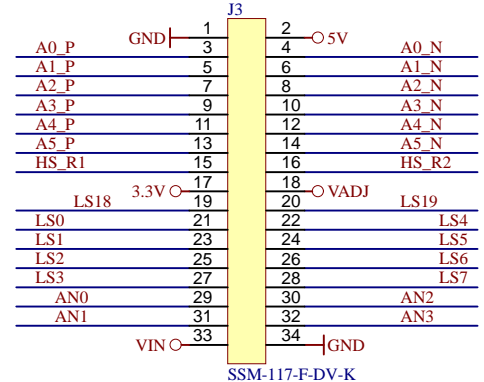
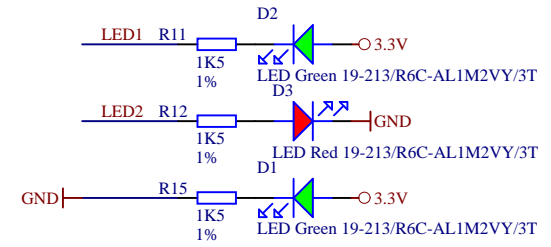
SNAP CRUV1 3x



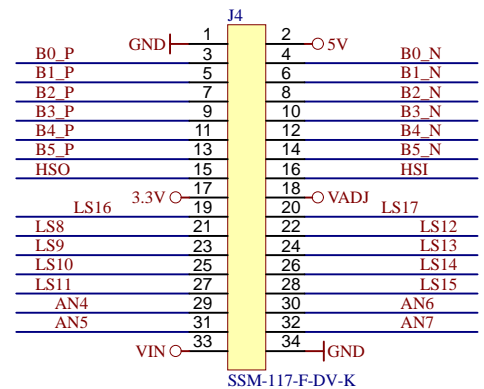
SS4-30-3.50-L-D-K-TR



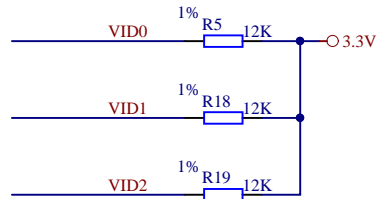
CLT-106-02-F-D-A-K



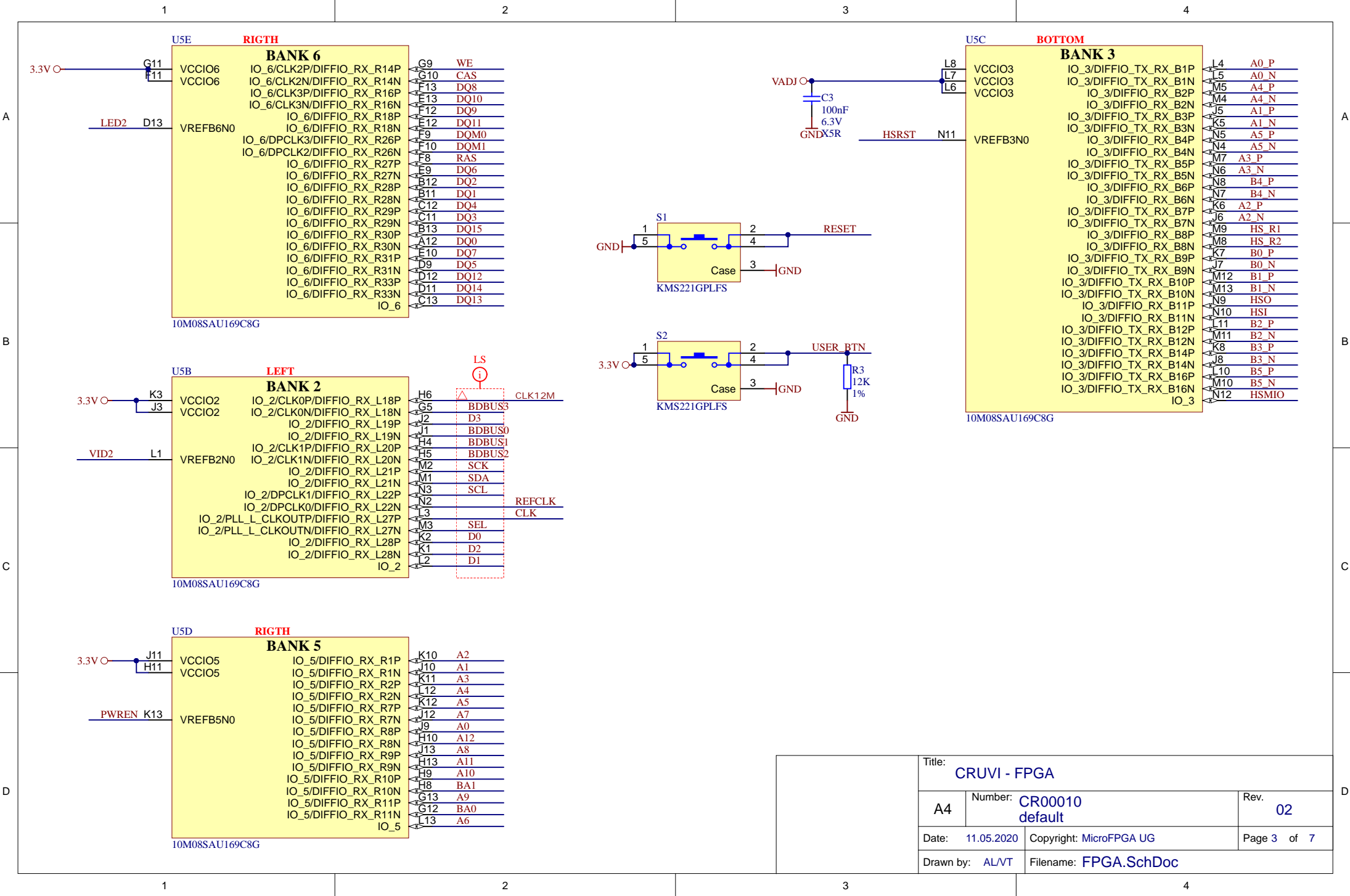
SSM-117-F-DV-K



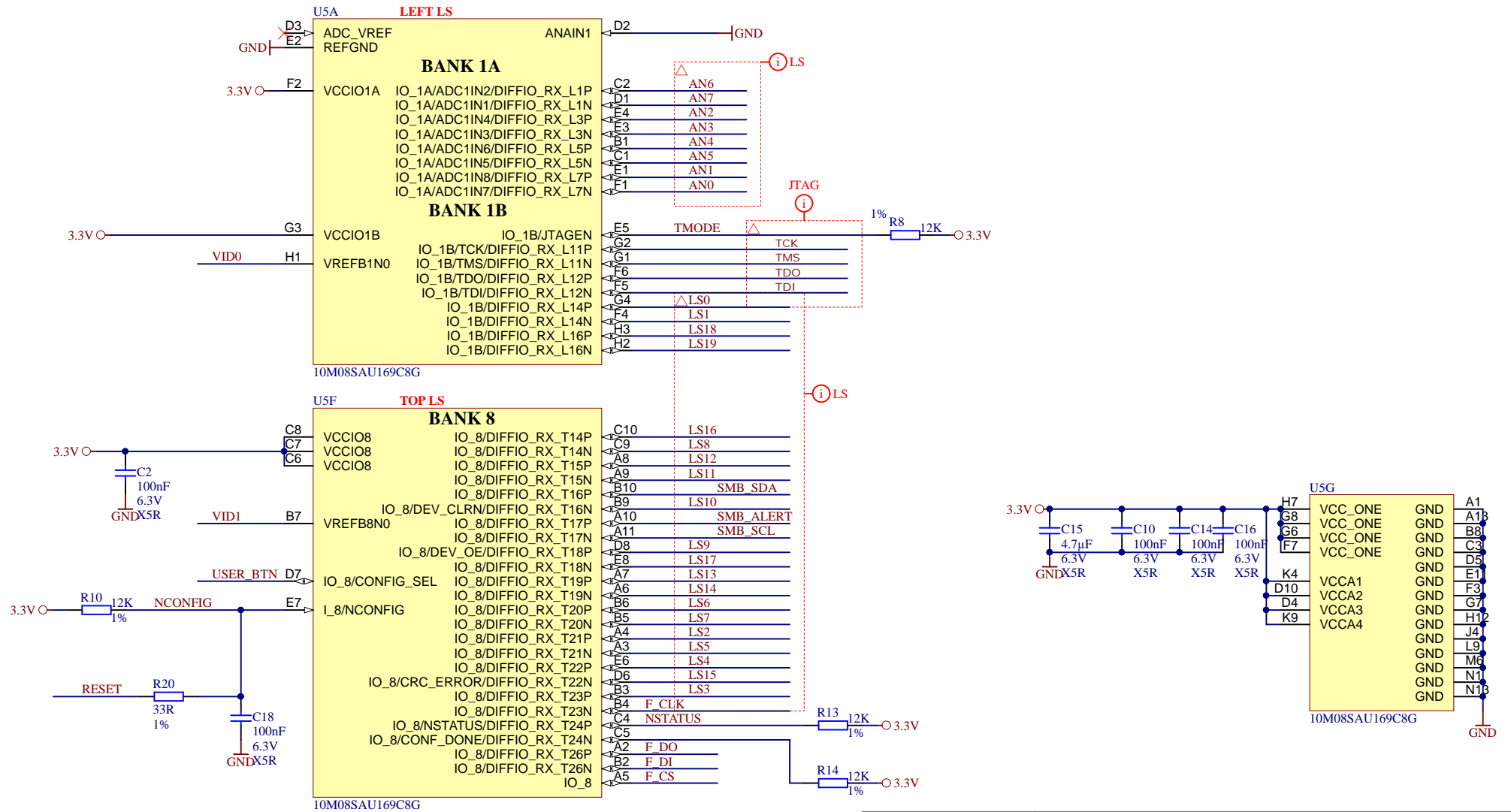
SSM-117-F-DV-K



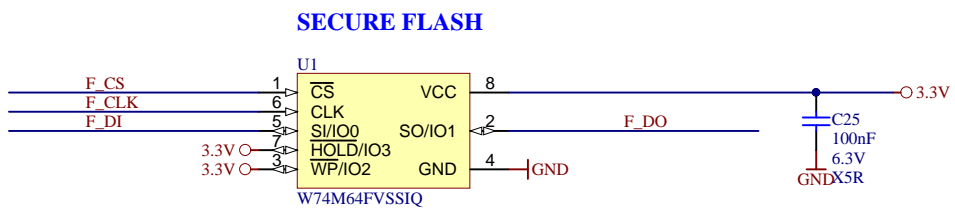
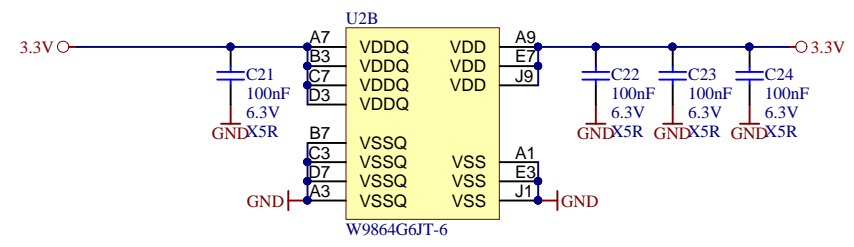
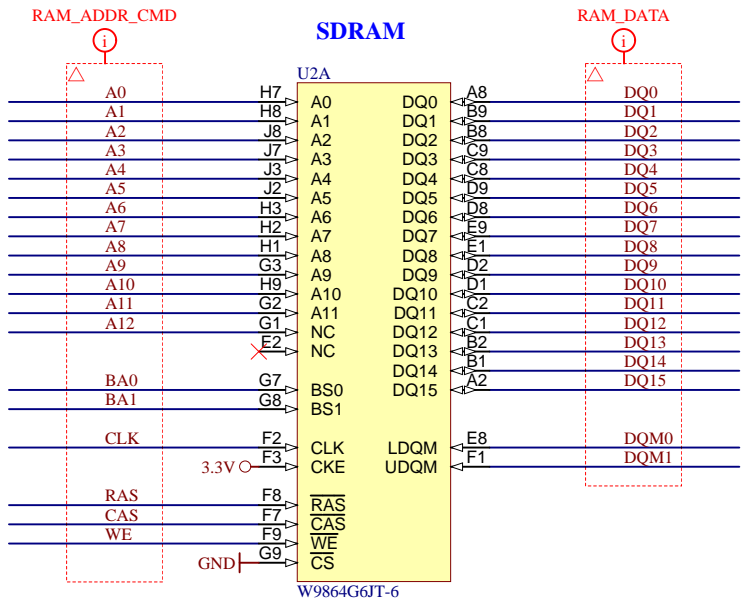
Title: CRUV1		
A4	Number: CR00010 default	Rev. 02
Date: 11.05.2020	Copyright: MicroFPGA UG	Page 2 of 7
Drawn by: AL/VT	Filename: Connectors.SchDoc	



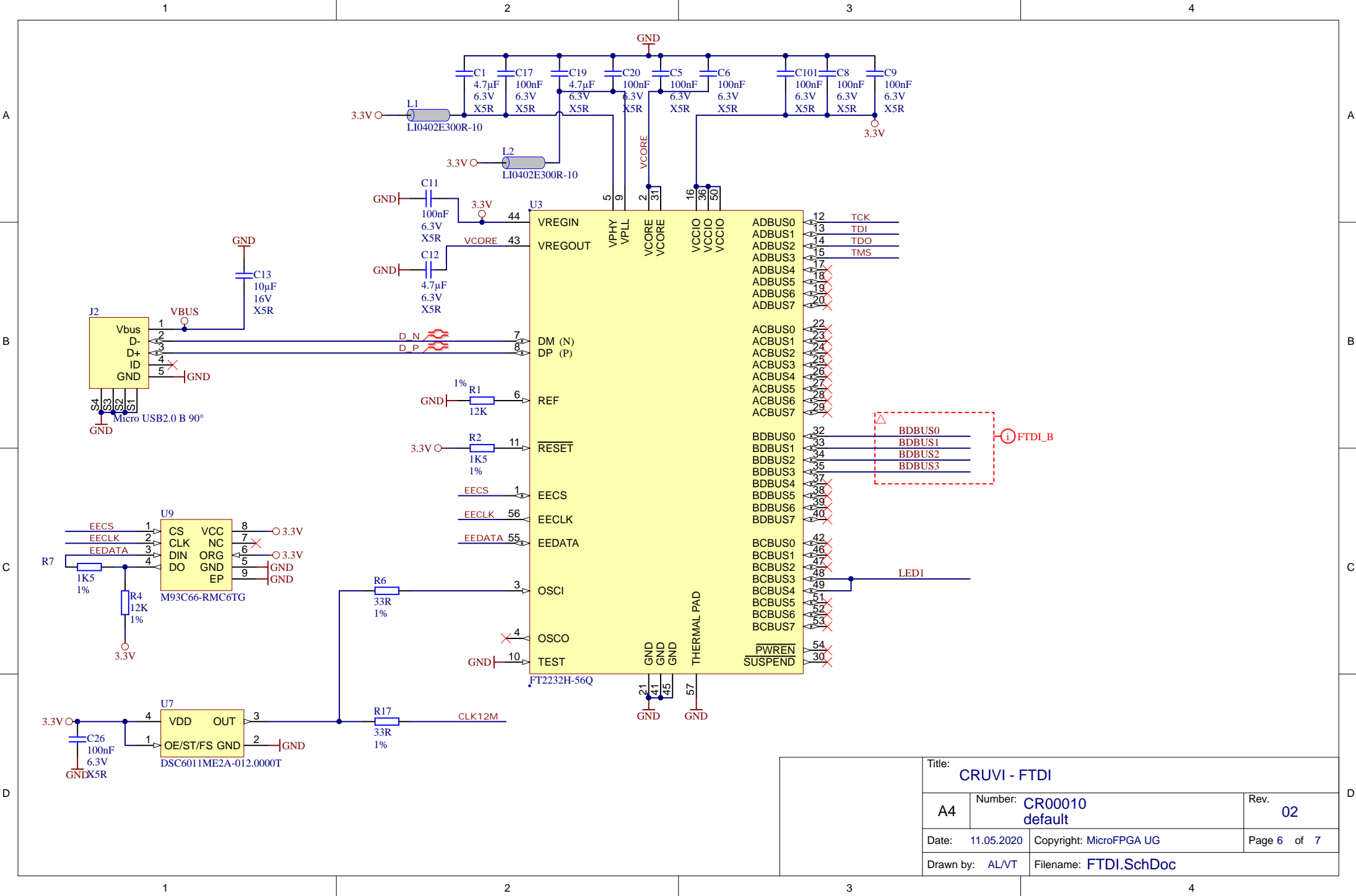
Title: CRUVI - FPGA		
A4	Number: CR00010 default	Rev. 02
Date: 11.05.2020	Copyright: MicroFPGA UG	Page 3 of 7
Drawn by: AL/VT	Filename: FPGA.SchDoc	



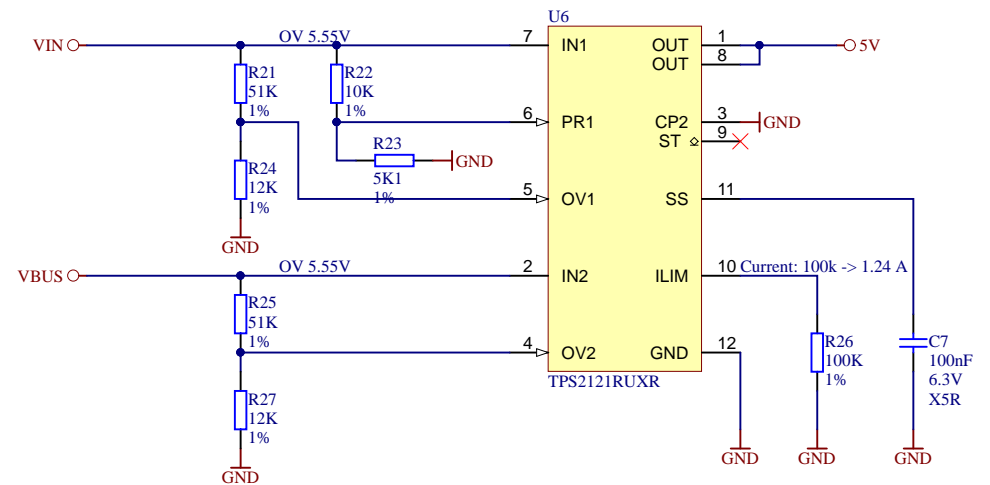
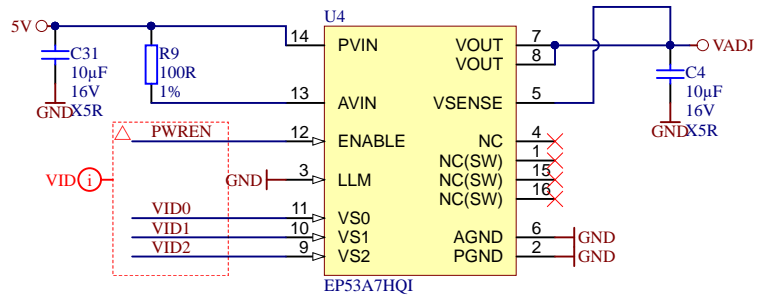
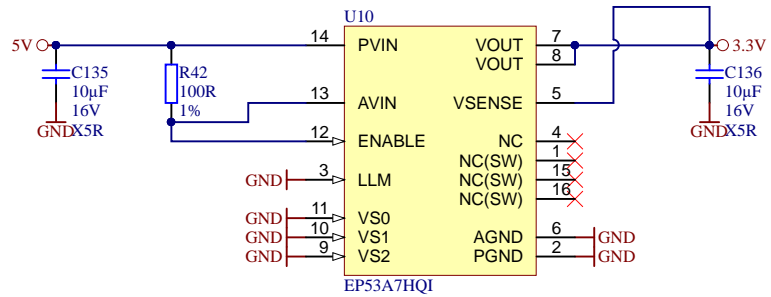
Title: CRUVI - FPGA_MISC		
A4	Number: CR00010 default	Rev. 02
Date: 11.05.2020	Copyright: MicroFPGA UG	Page 4 of 7
Drawn by: AL/VT	Filename: FPGA_MISC.SchDoc	



Title: CRUVI - Flash_RAM		
A4	Number: CR00010 default	Rev. 02
Date: 11.05.2020	Copyright: MicroFPGA UG	Page 5 of 7
Drawn by: AL/VT	Filename: Flash_RAM.SchDoc	



Title: CRUVI - FTDI		
A4	Number: CR00010 default	Rev. 02
Date: 11.05.2020	Copyright: MicroFPGA UG	Page 6 of 7
Drawn by: AL/VT	Filename: FTDI.SchDoc	



VS2	VS1	VS0	VOUT
0	0	0	3.3
0	0	1	3.0
0	1	0	2.9
0	1	1	2.6
1	0	0	2.5
1	0	1	2.2
1	1	0	2.1
1	1	1	1.8

Title: CRUVI - PWR		
A4	Number: CR00010 default	Rev. 02
Date: 11.05.2020	Copyright: MicroFPGA UG	Page 7 of 7
Drawn by: AL/VT	Filename: PowerSupply.SchDoc	